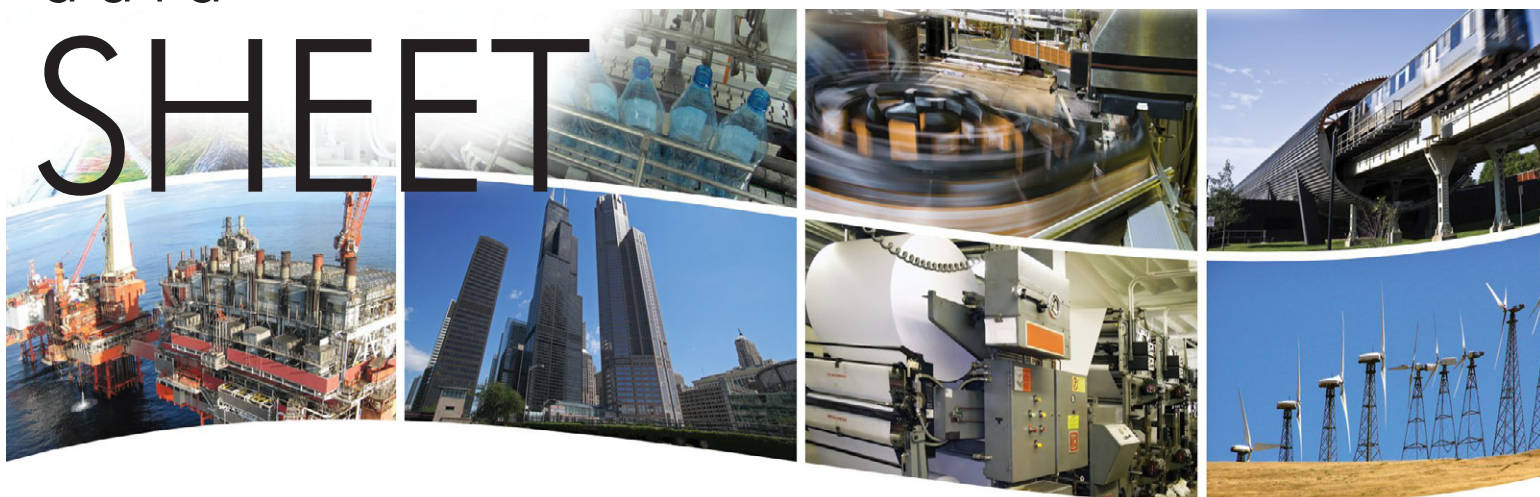


data

## SHEET



## 8-Port Skorpion Gigabit Switch

### Cost Effective, High-speed — Compact Size

The EISK8-GT Skorpion Gigabit Switch is an 8-port unmanaged Ethernet switch that provides Gigabit Ethernet (GigE) performance on all ports in order to accommodate high-speed devices such as IP cameras and modern workstations. In addition, GigE jumbo frames up to 9216 bytes are supported for the highest possible system performance. For 10/100 Mbps legacy devices, the switch will automatically reduce its port-speed accordingly, thereby accommodating the needs of just about any Ethernet automation system. This low-cost compact unit utilizes a rugged metal enclosure and is intended for installation in control panels using DIN-rail mounting.

This is a plug-and-play Ethernet switch requiring no configuration. All ports automatically configure their data rate and duplex using the Auto-negotiation protocol. Depending on the capability of the link partner, communication is set at 10, 100 or 1000 Mbps and at either half- or full-duplex. Each port will accommodate either a straight-through or crossover cable by using the Auto-MDIX protocol.

The unit is powered from a choice of low-voltages (AC or DC). Redundant power connections are provided for back-up power schemes. LED indicators assist in troubleshooting network issues.

- Plug-and-Play operation
- 10BASE-T/100BASE-TX/1000BASE-T
- Shielded RJ-45 connectors
- Auto-negotiation of speed and duplex
- Auto-MDIX supports cable inversion



- DIN-rail mounting
- Rugged metal enclosure
- Diagnostic LEDs
- Enhanced EMC compliance
- UL 508 listed, c-UL listed, CE mark
- 24 VAC/VDC powered

CTRLink®

## Overview

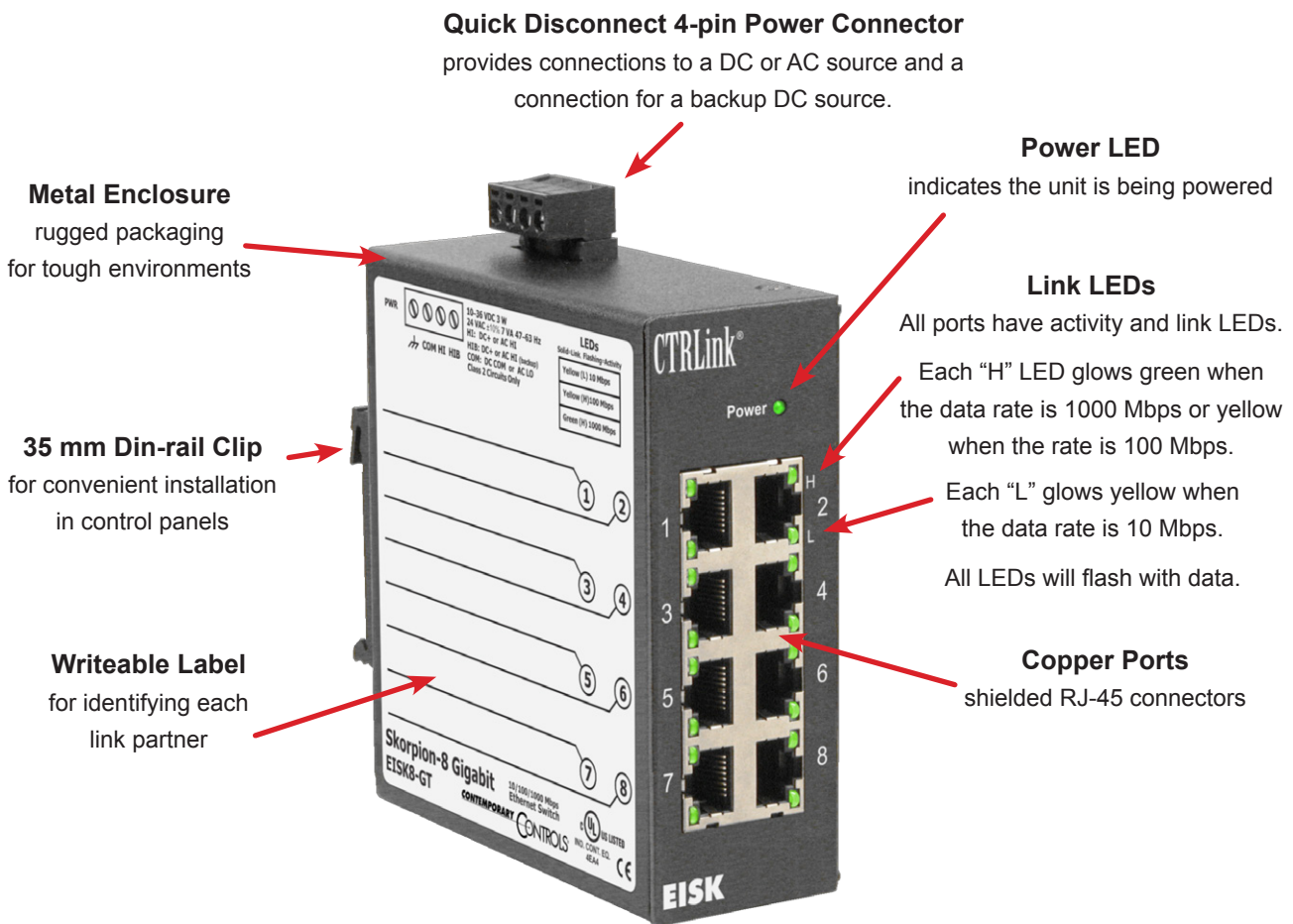
The Skorpion Gigabit Switch is intended for control panel installations where DIN-rail space is at a premium by requiring a width of only 41 mm of rail space. A metal DIN-rail clip attached to the aluminium enclosure can survive the toughest installation. A writable side label allows the installer an opportunity to document field cabling locations right on the unit.

The switch can be powered from either a 10–36 VDC or 24 VAC ( $\pm 10\%$ ) source. Its half-wave rectified low-voltage power supply allows the sharing of power with other 24 VAC/VDC control devices from a common power supply. With redundant power

connections, a backup power scheme can be supported. A removable power connector facilitates the servicing of the unit.

LEDs built into the connector indicate data rate and activity on each of the eight ports — greatly assisting in troubleshooting connection issues.

The switch is UL 508 Listed and c-UL Listed for Industrial Control Equipment. It complies with CFR 47 Part 15 Class A, and carries the CE Mark. It is RoHS compliant.



## Specifications

<b>Power Requirements</b>	10–36 VDC 3 W or 24 VAC ±10% 7 VA 47–63 Hz								
<b>Operating Temperature</b>	0°C to 60°C								
<b>Storage Temperature</b>	–40°C to 85°C								
<b>Relative Humidity</b>	10–95%, non-condensing								
<b>Protection</b>	IP30								
<b>Mounting</b>	TS-35 DIN-rail								
<b>Shipping Weight</b>	1 lb (0.45 kg)								
<b>Ethernet Communications</b>	IEEE 802.3 10/100/1000 Mbps data rate using RJ-45 connectors, 100 m (max) Supports jumbo frames up to 9216 bytes								
<b>LEDs</b>	<table border="0"> <tr> <td>Power</td> <td>Green = power OK</td> </tr> <tr> <td>“H” LEDs</td> <td>Green = 1000 Mbps communication established Yellow = 100 Mbps communication established</td> </tr> <tr> <td>“L” LEDs</td> <td>Yellow = 10 Mbps communication established</td> </tr> <tr> <td>“H” or “L” LEDs</td> <td>Flashing = data transmissions occurring</td> </tr> </table>	Power	Green = power OK	“H” LEDs	Green = 1000 Mbps communication established Yellow = 100 Mbps communication established	“L” LEDs	Yellow = 10 Mbps communication established	“H” or “L” LEDs	Flashing = data transmissions occurring
Power	Green = power OK								
“H” LEDs	Green = 1000 Mbps communication established Yellow = 100 Mbps communication established								
“L” LEDs	Yellow = 10 Mbps communication established								
“H” or “L” LEDs	Flashing = data transmissions occurring								

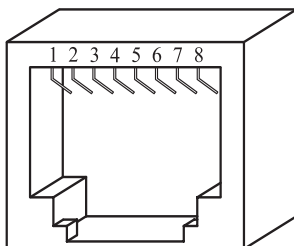
### Regulatory Compliance

CE Mark; CFR 47, Part 15 Class A; RoHS;  
UL 508 Industrial Control Equipment

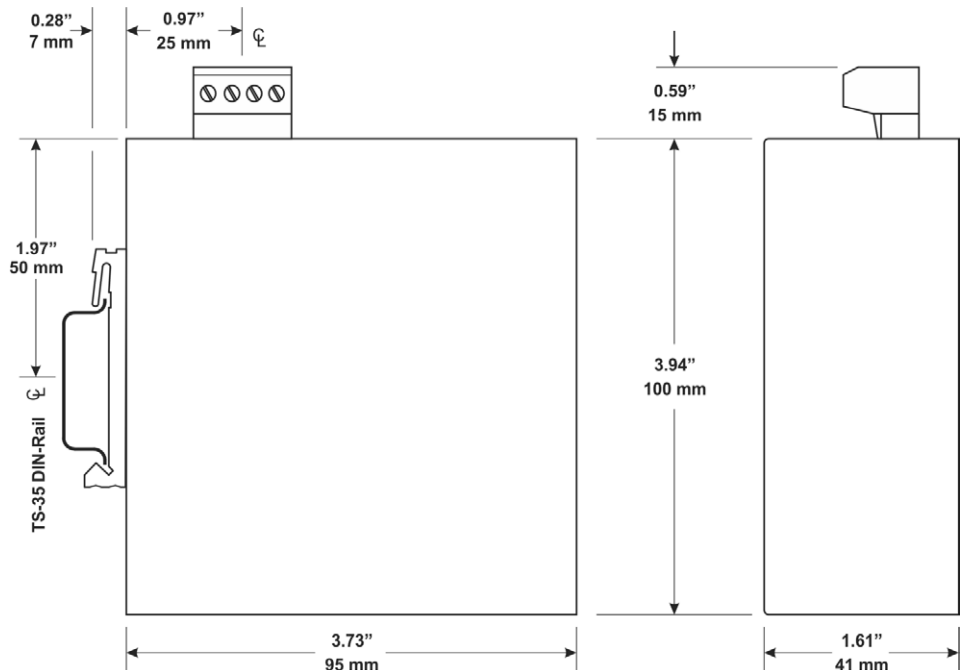


### RJ-45 Connector Pin Assignments

Pin	Function
1	BI_DA+
2	BI_DA-
3	BI_DB+
4	BI_DC+
5	BI_DC-
6	BI_DB-
7	BI_DD+
8	BI_DD-



### Mechanical Drawing

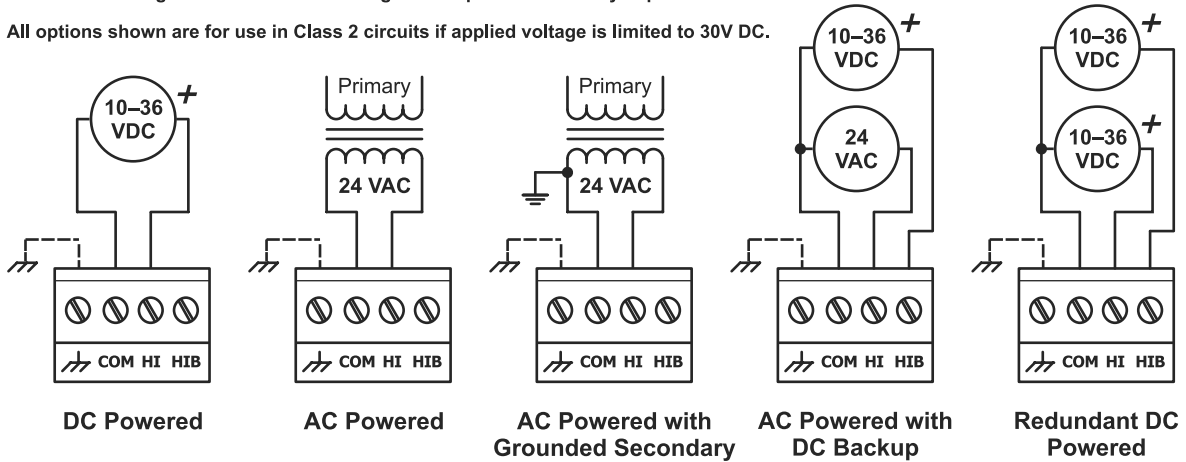


## Power Considerations

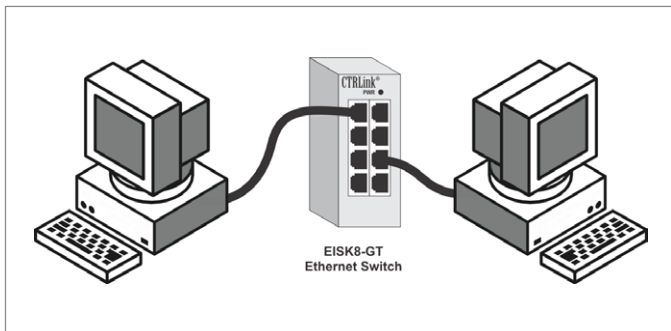
Applied voltage must be in the specified range and deliver a current commensurate with power consumption. The recommended size for solid power conductors is 16–20 AWG; and for stranded conductors use 16–18 AWG. Zero volts (COM) is isolated from chassis (earth). Input connections are reverse-polarity protected.

**Input power: 10–36 VDC or 24 VAC ± 10%, 47–60 Hz.**  
 Connecting chassis to earth or using a backup source is always optional.

All options shown are for use in Class 2 circuits if applied voltage is limited to 30V DC.



## Typical Switch Installation



## Ordering Information

<i>Model</i>	<i>Description</i>
EISK8-GT	Skorpion 8-Port GigE Switch

### United States

**Contemporary Control Systems, Inc.**  
 2431 Curtiss Street  
 Downers Grove, IL 60515  
 USA

Tel: +1 630 963 7070  
 Fax: +1 630 963 0109

[info@ccontrols.com](mailto:info@ccontrols.com)  
[www.ccontrols.com](http://www.ccontrols.com)

### China

**Contemporary Controls (Suzhou) Co. Ltd**  
 11 Huoju Road  
 Science & Technology Industrial Park  
 New District, Suzhou  
 PR China 215009

Tel: +86 512 68095866  
 Fax: +86 512 68093760

[info@ccontrols.com.cn](mailto:info@ccontrols.com.cn)  
[www.ccontrols.asia](http://www.ccontrols.asia)

### United Kingdom

**Contemporary Controls Ltd**  
 14 Bow Court  
 Fletchworth Gate  
 Coventry CV5 6SP  
 United Kingdom

Tel: +44 (0)24 7641 3786  
 Fax: +44 (0)24 7641 3923

[info@ccontrols.co.uk](mailto:info@ccontrols.co.uk)  
[www.ccontrols.eu](http://www.ccontrols.eu)

### Germany

**Contemporary Controls GmbH**  
 Fuggerstraße 1 B  
 04158 Leipzig  
 Germany

Tel: +49 341 520359 0  
 Fax: +49 341 520359 16

[info@ccontrols.de](mailto:info@ccontrols.de)  
[www.ccontrols.eu](http://www.ccontrols.eu)